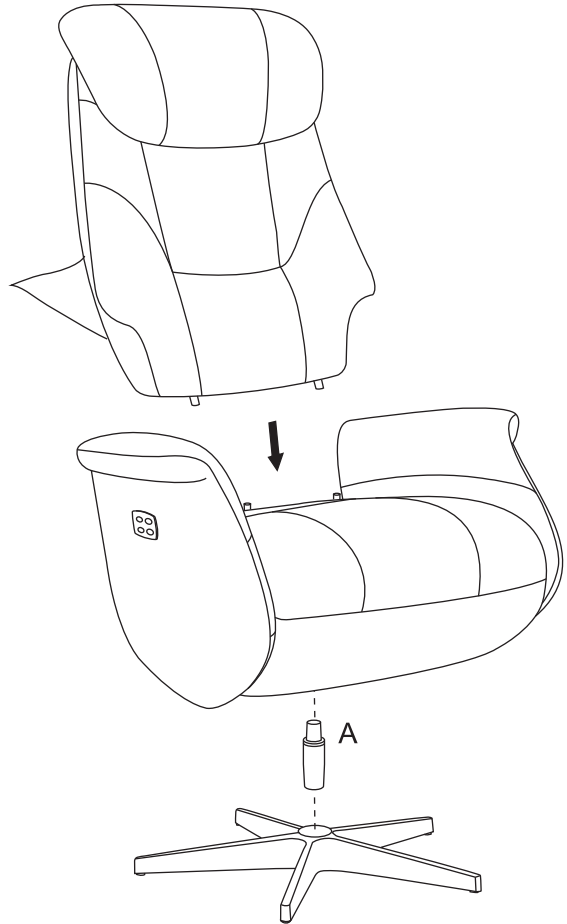
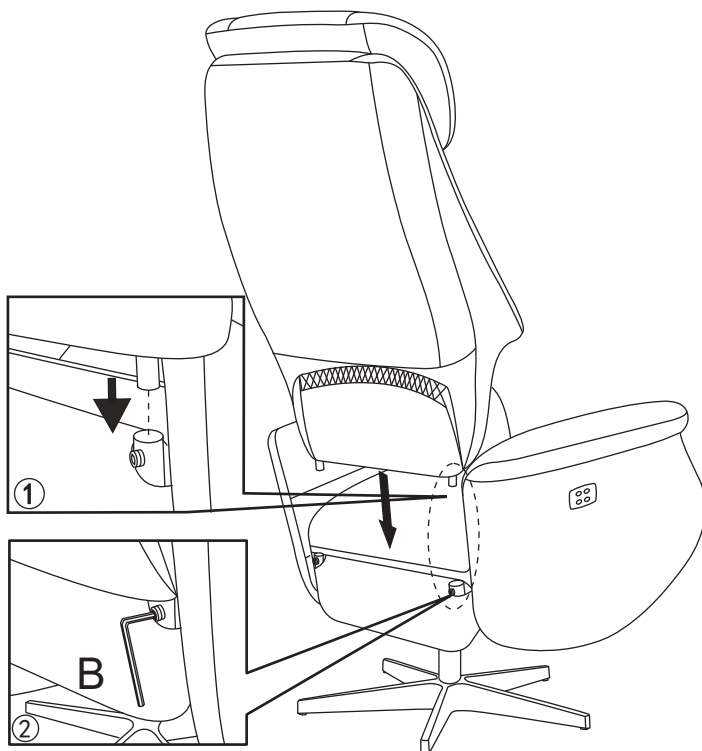


4071N

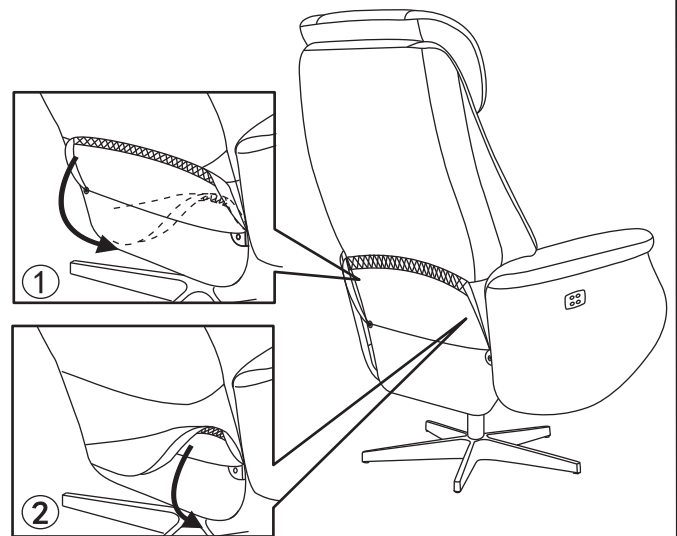


A		1PC	B		1PC
---	--	-----	---	--	-----

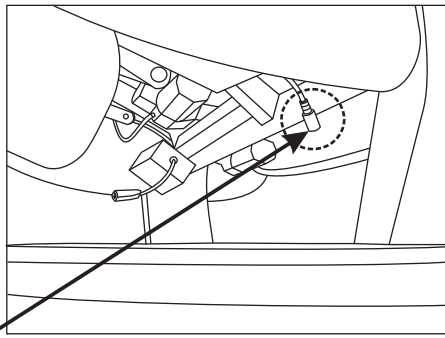
1



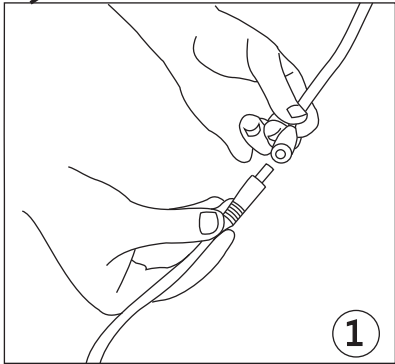
2



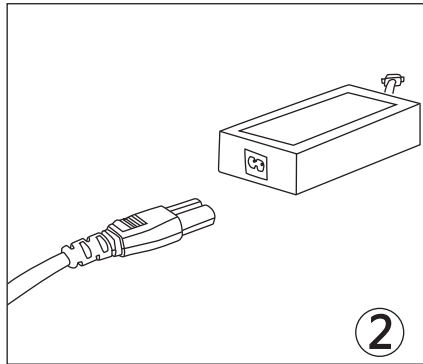
3



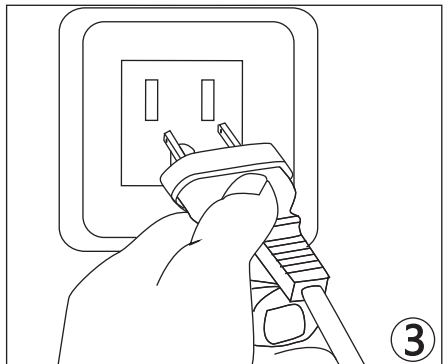
please find the wire to connect power under the seat



1

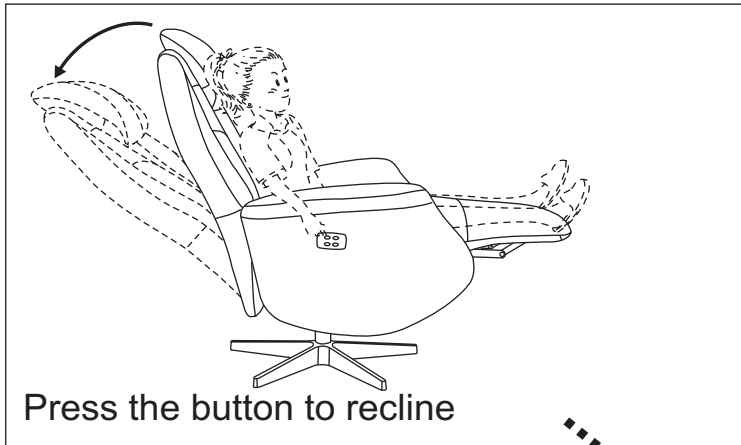


2

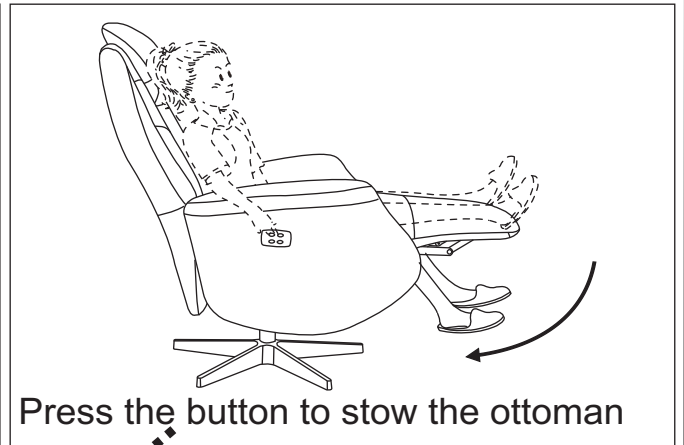


3

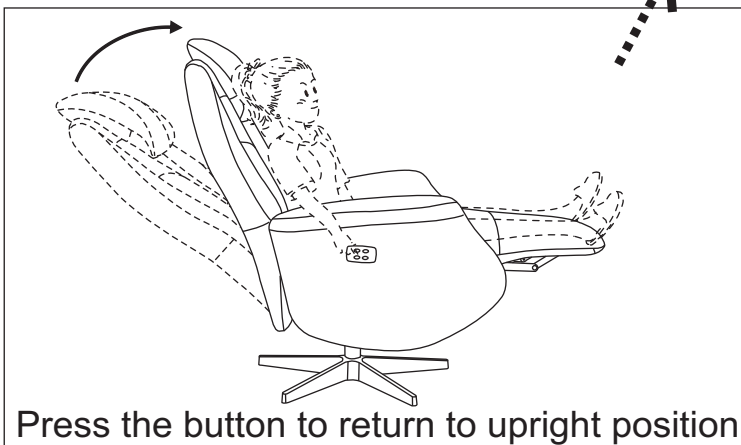
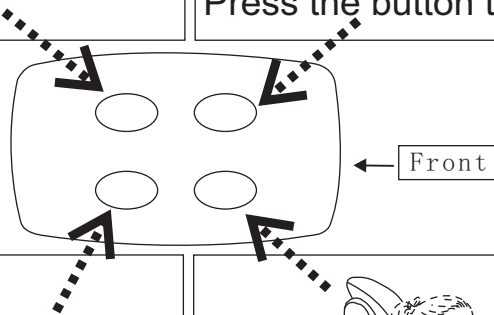
CAUTION: Disconnect AC Adapter from power pack once charging cycle is complete.



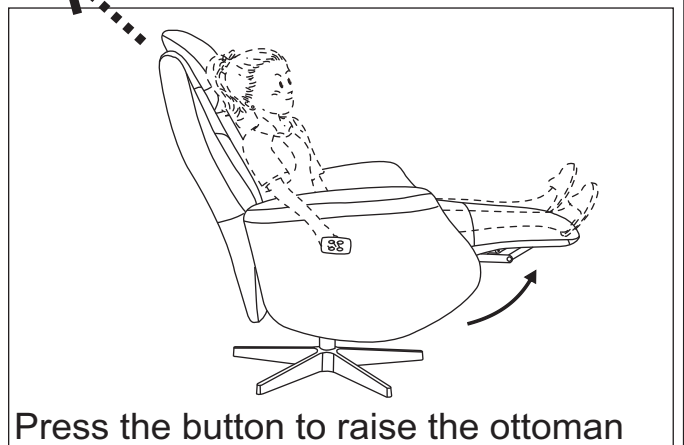
Press the button to recline



Press the button to stow the ottoman



Press the button to return to upright position



Press the button to raise the ottoman



To adjust the headrest, grip the backside of the headrest and pull forward from both sides as shown



DO NOT pull from the side edges, as the material may tear



To adjust the headrest backward, push on both sides or use a forearm to evenly move the headrest

Caution:

Do not push in the center of the headrest, as this may cause the cushion to collapse

