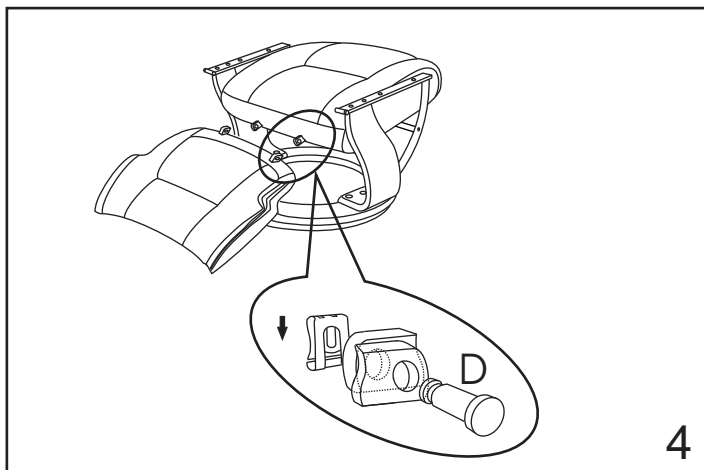
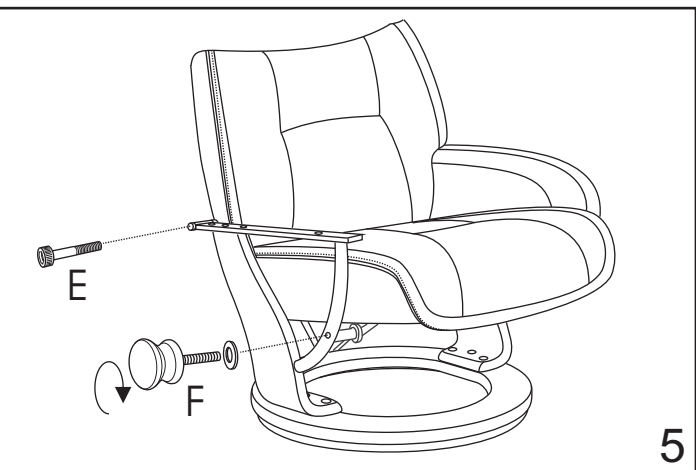


DURING ASSEMBLY CHECK AND TIGHTEN ALL BOLTS

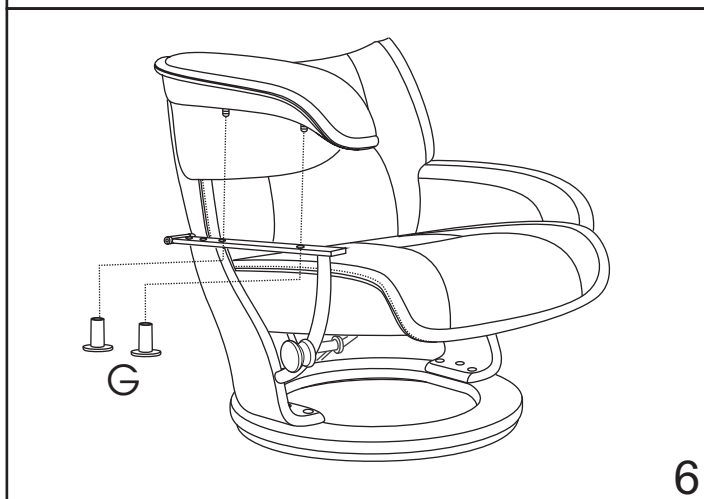
A		4 PCS	D		2 PCS	G		4 PCS
B		2 PCS	E		2 PCS	H		1 SET
C		2 PCS	F		1 PC			



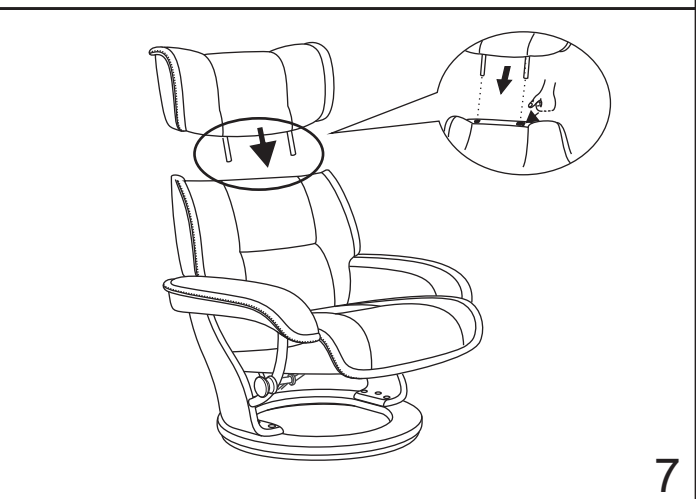
4



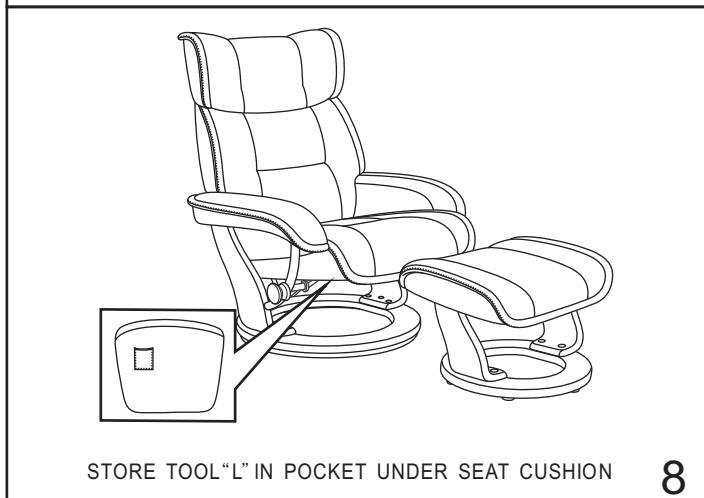
5



6

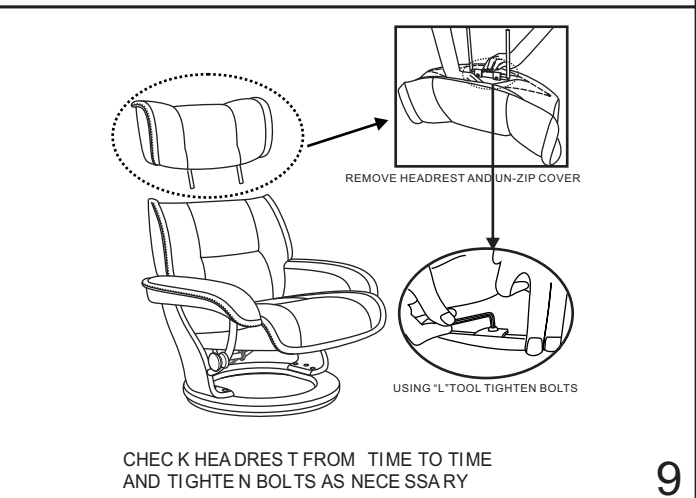


7



STORE TOOL "L" IN POCKET UNDER SEAT CUSHION

8



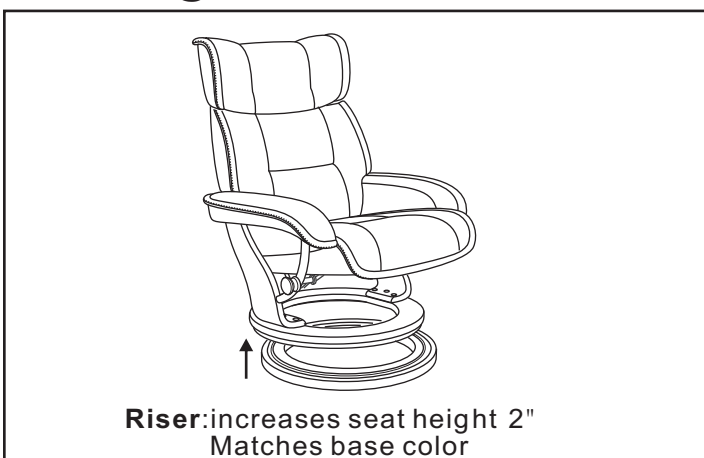
REMOVE HEADREST AND UN-ZIP COVER

USING "L" TOOL TIGHTEN BOLTS

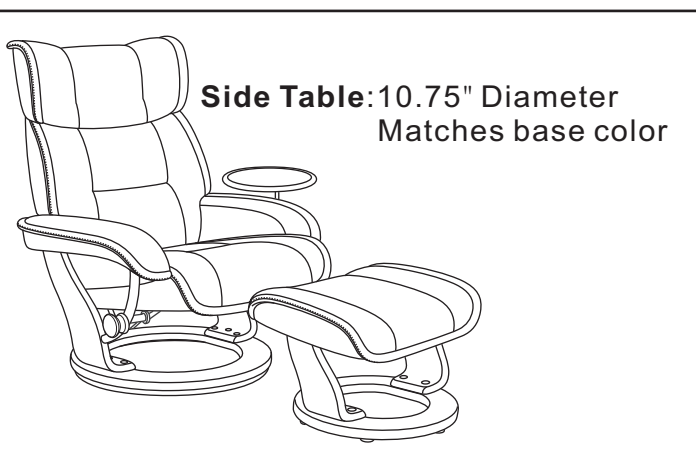
CHECK HEADREST FROM TIME TO TIME AND TIGHTEN BOLTS AS NECESSARY

9

**Optional Accessories** -to order ask your dealer or contact Benchmaster Furniture sales@benchmasterfurniture.com 866 774-1400 Toll free 949-502-6779 Fax



**Riser:** increases seat height 2"  
Matches base color



**Side Table:** 10.75" Diameter  
Matches base color